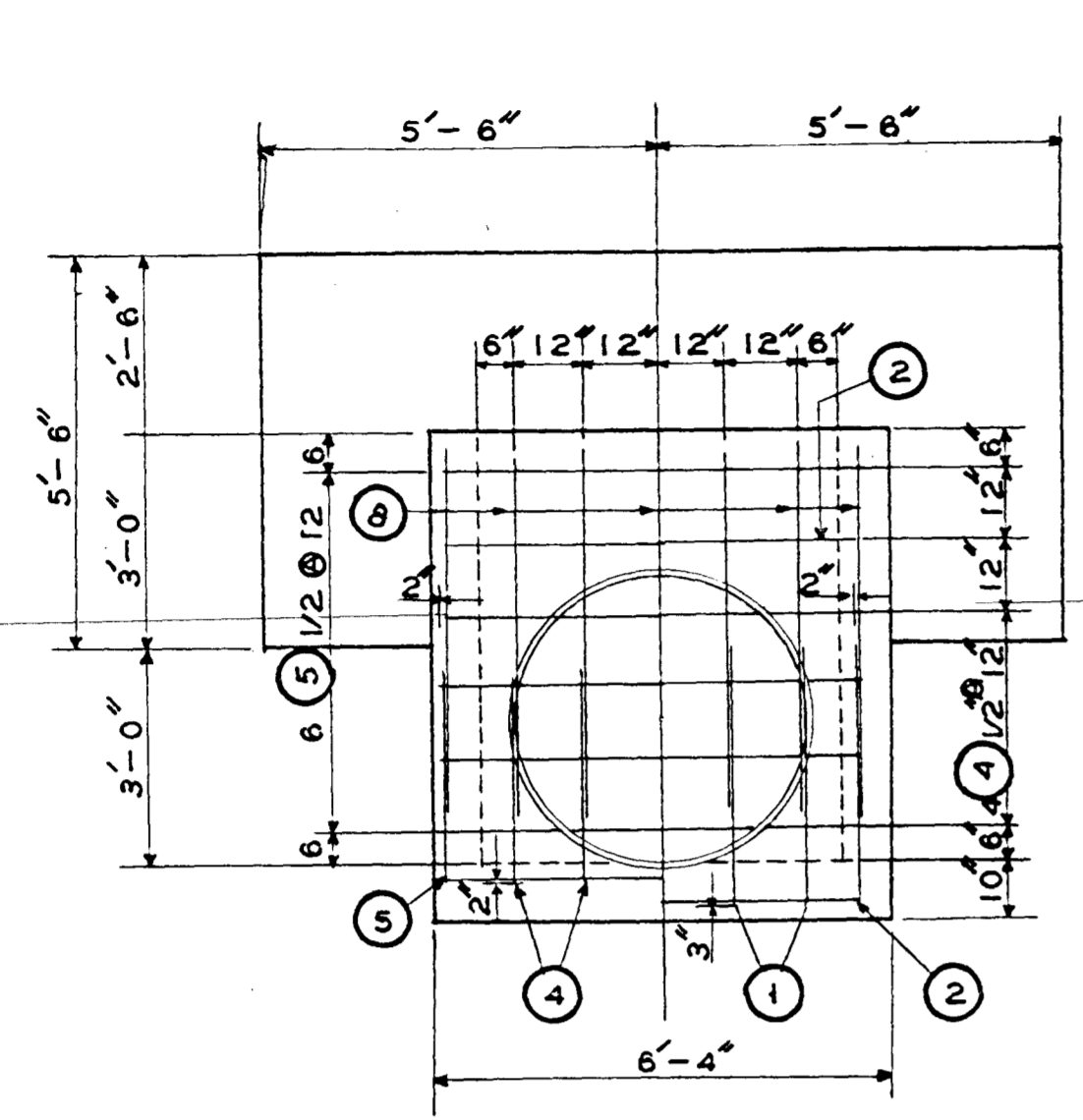


+ PONDED LAND +
 + WATERSHED BOUNDARY +
 + PRESENT TILE +
 + PROPOSED TILE +
 + LEGEND +

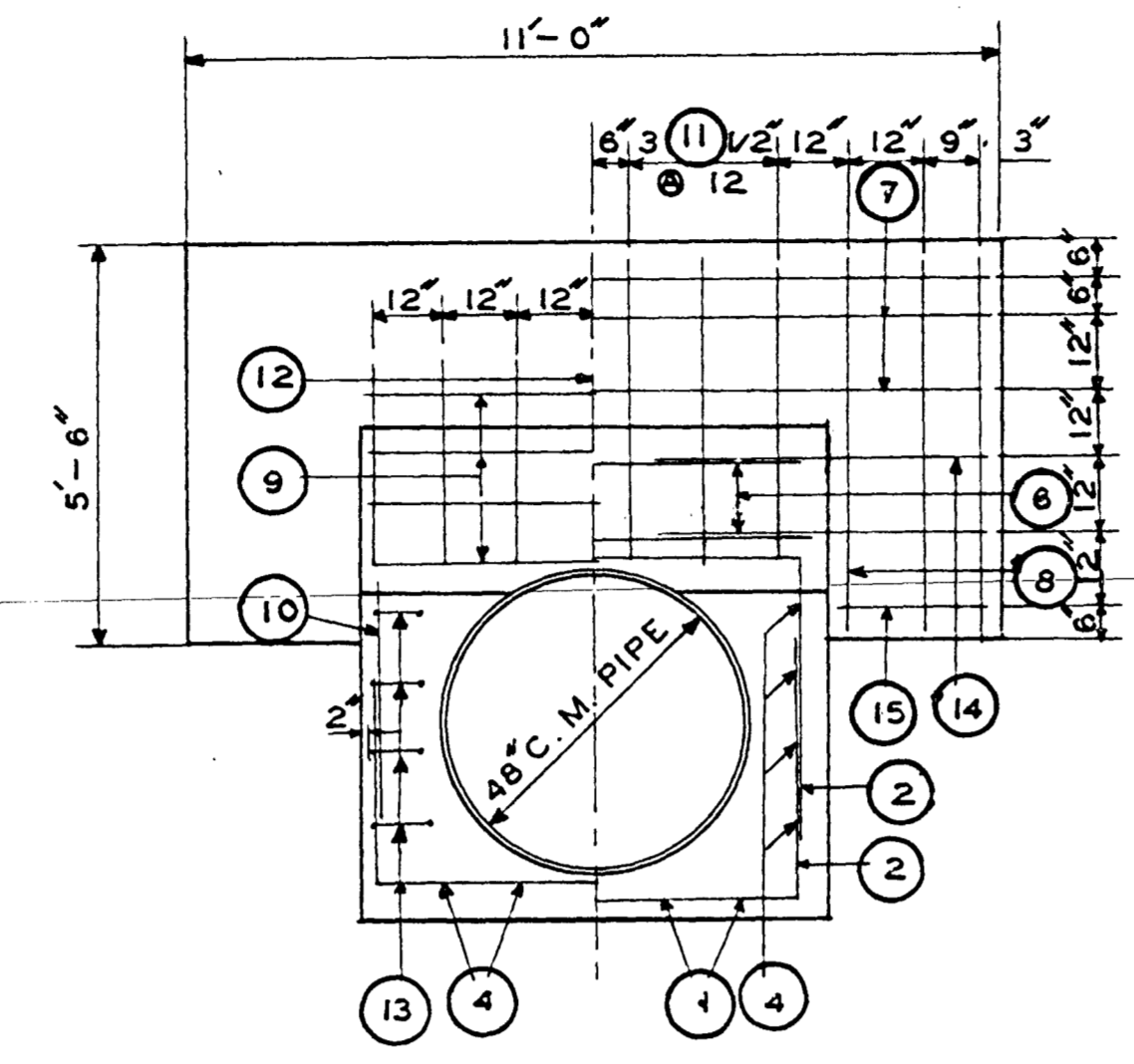


+ PLAT +
 + OF +
 + JOINT +
 + DRAINAGE DISTRICTS +
 + NO. 46-88 +
 + POCAHONTAS COUNTY +
 + T-90-N-R-32-W +
 + BELLVILLE TOWNSHIP +
 + SEC. 27, 28, 33, 34, 35 +
 + CALHOUN COUNTY +
 + T-89-N-R-32-W +
 + SHERMAN TOWNSHIP +
 + SEC. 3, 4, 8, 9, 10 +
 + SCALE 1" = 800' +
 + DRAWN BY +
 + L.H. RUDE +
 + 1908 +
 + REDRAWN BY +
 + W.C. OTTO & SONS, INC. +
 + SAC. CITY, IOWA +
 + 1956 +



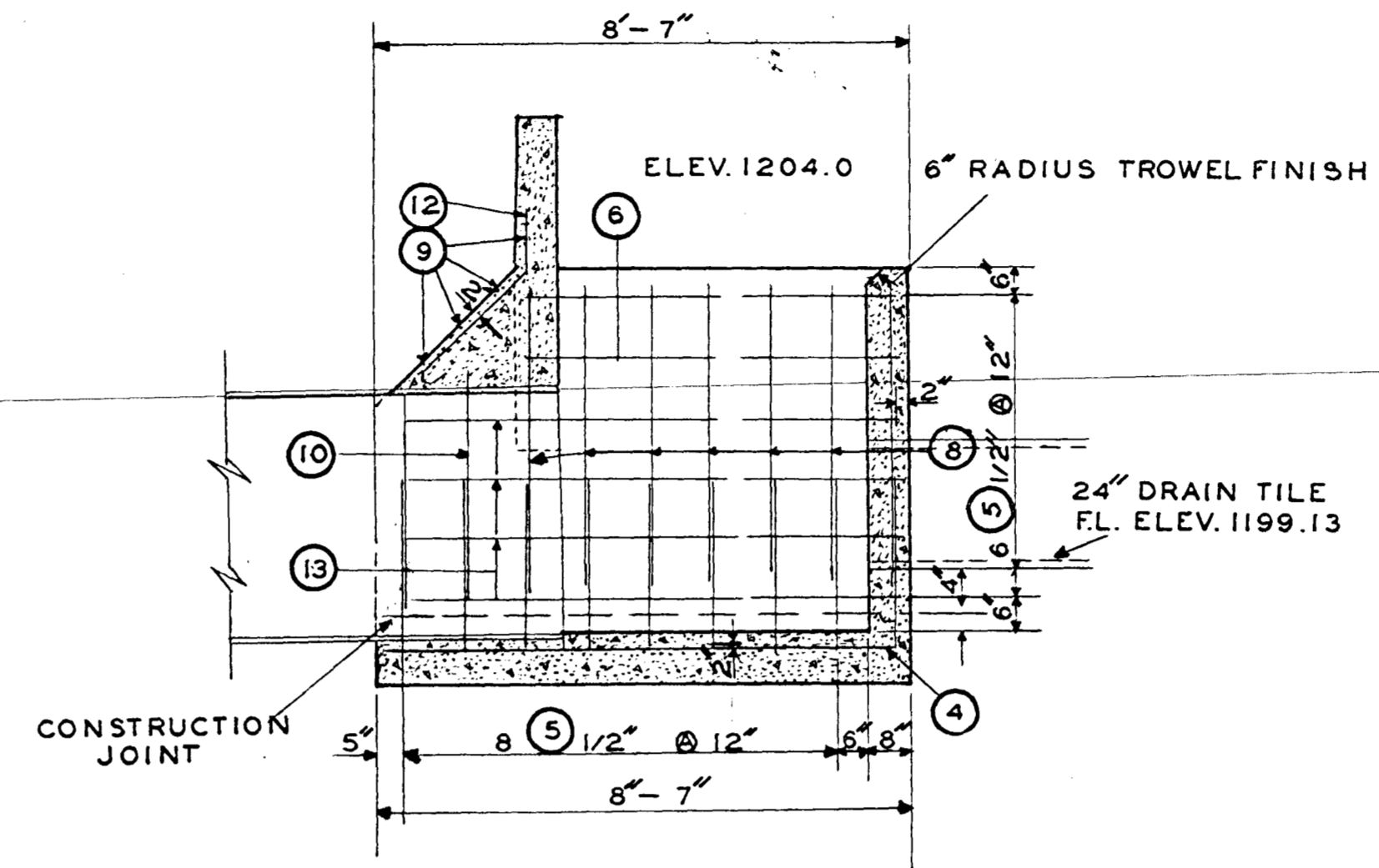
FRONT ELEVATION

STEEL 2" FROM OUTSIDE FACE STEEL 2" FROM INSIDE FACE



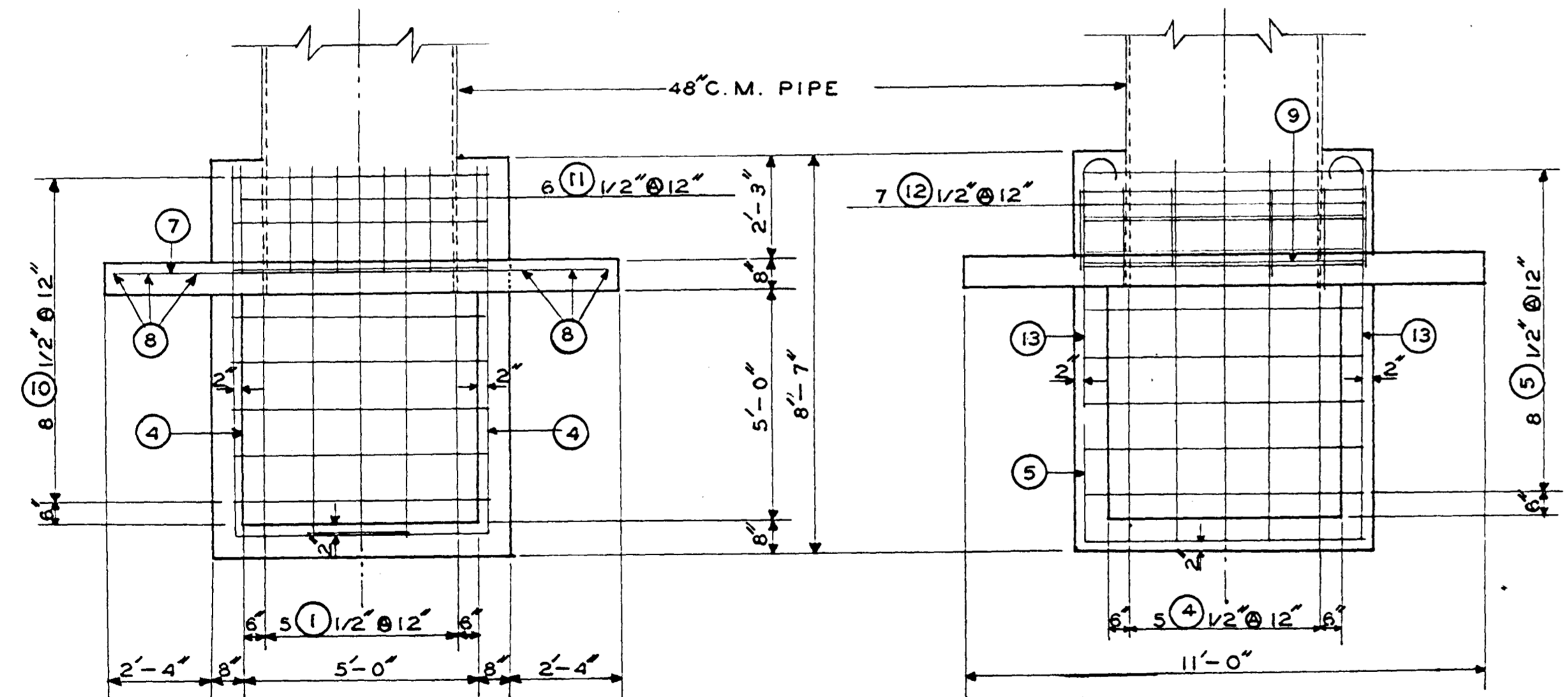
REAR ELEVATION

STEEL 2" FROM OUTSIDE FACE STEEL 2" FROM INSIDE FACE



SECTION ON CENTERLINE

STEEL 2" FROM OUTSIDE FACE

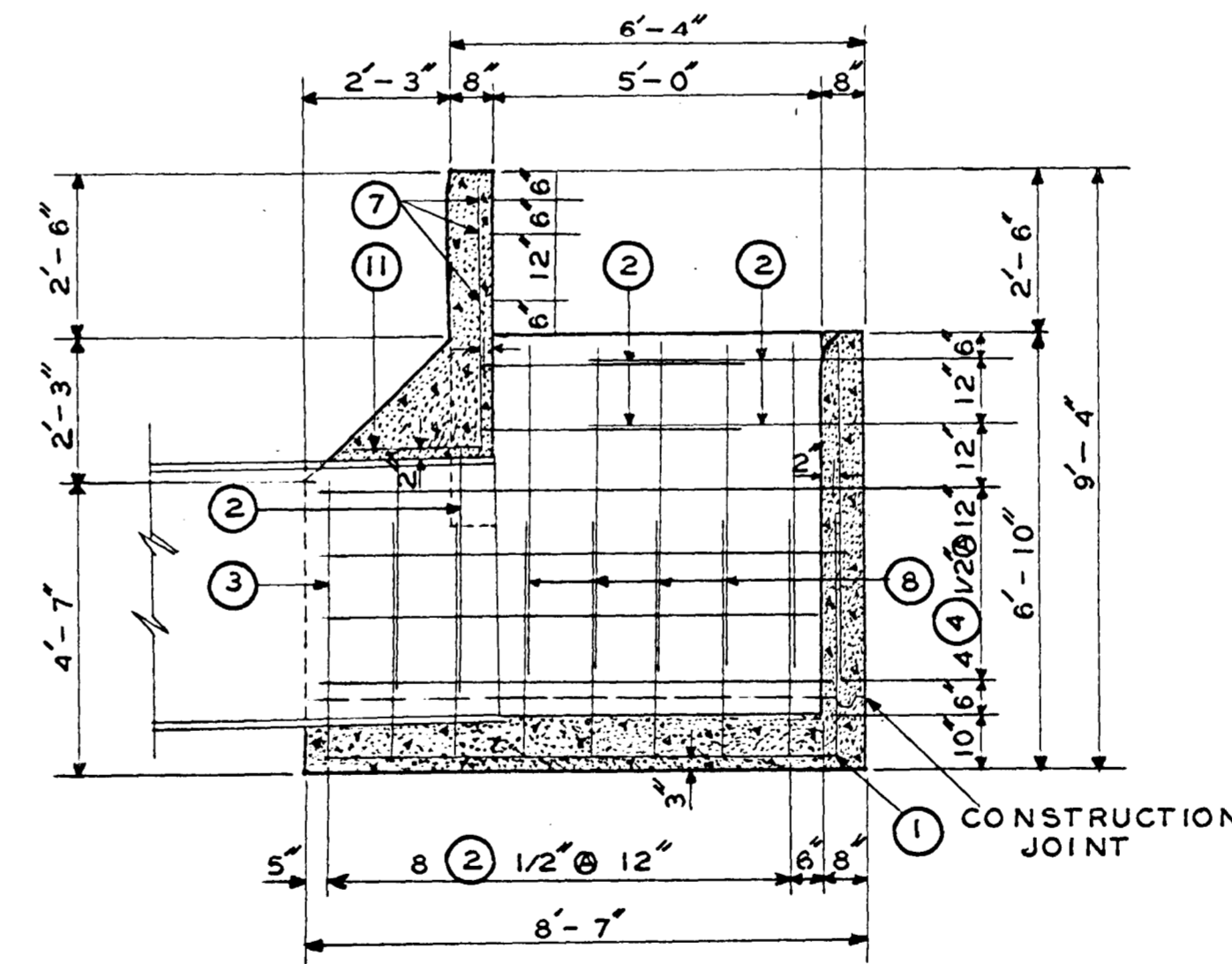


PLAN

STEEL 3" FROM BOTTOM OF FLOOR

PLAN

STEEL 2" FROM TOP OF FLOOR

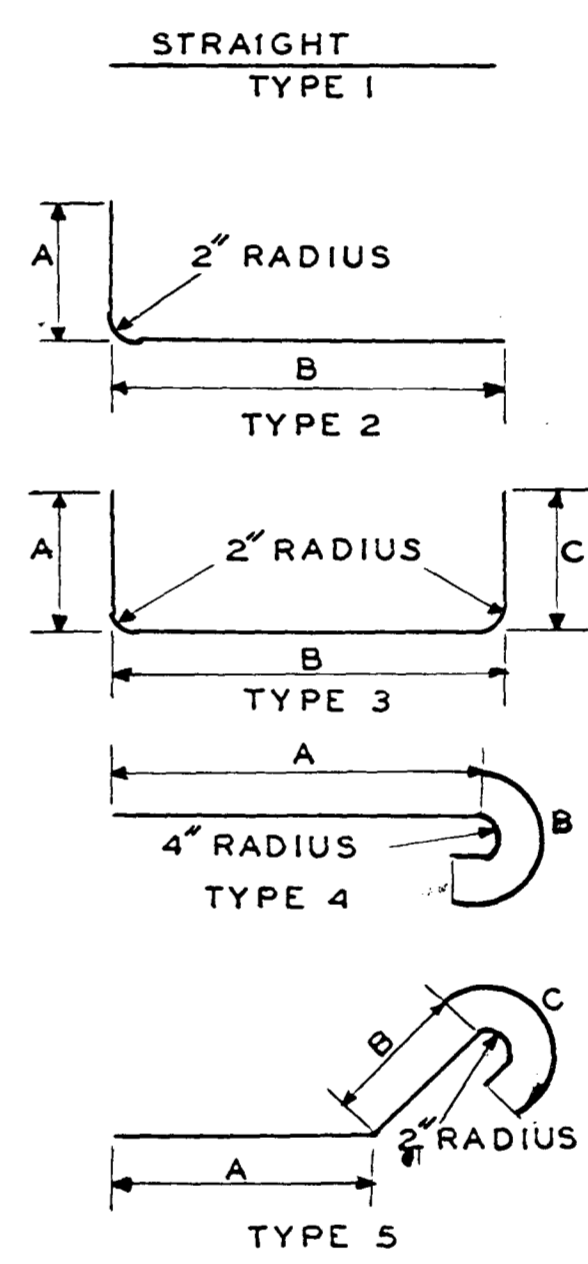


SECTION ON CENTERLINE

STEEL 2" FROM INSIDE FACE

STEEL SCHEDULE								
MARK	SIZE	QUAN	LENGTH	TYPE	A	B	C	TOT. FT.
1	1/2"	5	11-6	2	7-9	3-9		15-6
2	1/2"	14	12-9	3	3-8	5-5	3-8	178-6
3	1/2"	1	13-9	3	4-2	5-5	4-2	13-9
4	1/2"	13	11-9	2	3-9	8-0		152-9
5	1/2"	14	11-6	3	2-9	6-0	2-9	161-0
6	1/2"	2	12-6	3	3-3	6-0	3-3	25-0
7	1/2"	3	10-6	1				31-6
8	1/2"	32	5-0	1				160-0
9	1/2"	4	6-0	1				24-0
10	1/2"	4	3-6	1				14-0
11	1/2"	6	6-0	2	2-0	4-0		36-0
12	1/2"	7	4-3	5	1-0	2-3	1-0	29-9
13	1/2"	8	6-9	4	5-3	1-6		54-0
14	1/2"	4	4-6	1				18-0
15	1/2"	2	2-0	1				2-0

BAR TYPES



QUANTITIES

1/2" STEEL 257.5 FEET 640.0 POUNDS
VOLUME OF CONCRETE 7.3 CU. YD.

R/C BOX - TYPE INLET FOR 48 C.M. PIPE
DRAINAGE DISTRICT NO. 88 HENSEL # DD.
SAC & CALHOUN COUNTIES

280 Cal
280 Calhoun
Sched 88